

3 & 4-Way Direct Mount NAMUR Solenoid Valves

Pilot Operated

1/4 BSP (G)

Aluminum & Stainless Steel



General Description:

Parker Fluid Control 4-Way valves are used in applications for actuation of double acting cylinders and piloting of larger control valves. These valves have the Direct Mount NAMUR Pad Configuration, and the 1/4" valves have Parker's patented 3-way/4-way flip plate.

Installation

Valves can be mounted in any position. The preferred orientation is vertical and upright.

Compatible Fluids

Air and Inert Gases.

Standard Materials of Construction:

- Sleeve - 304 SS
- Sleeve Stop - 430FR stainless steel
- Sleeve Flange - 430FR stainless steel
- Plunger - 430FR stainless steel
- Spring - 301 stainless steel
- Spool - thermoplastic
- Filter - Polyethylene
- Seals - NBR



Electrical Characteristics:

Standard Voltages

AC: 24/50, 110/50, 115/50,
220/50, 230/50

DC: 12, 24

Coil Classification:

Class F Standard
Class H Available

Agency Approvals:

Standard valves with DIN coils or
Optional hazardous rated solenoid
Enclosures to meet ATEX and
International IECEx requirements.
For additional details, Consult
Factory.

Applications:

- Pilot Valve Actuation
of Larger Control Valves
- Oil and Gas Including
Off-Shore Installations
- Double Acting
Cylinder Control
- Air Vices
- Air Motors
- Damper Control



ENGINEERING YOUR SUCCESS.

3/2, or 5/2 3-4 Way Pilot Operated - Single Solenoid- NAMUR Direct Mount - Aluminium

NAMUR	Orifice Size mm	Flow Factor Qn 1 /min	Operating Pressure Differential(BAR)			Wattage		Media Temp. °C	Valve Number	Housing	Coil	Reference	
			Min.	AC	DC	AC	DC					Coil	Valve
1/4	4	600	2	10	10	4	5	-25 - + 80	BNKAD6JNC2	-	496593	1	1
1/4	4	600	2	10	10	8	9	-25 - + 80	BNKAD6JNC7	-	481865	2	3

3/2, or 5/2 3-4 Way Pilot Operated - Dual Solenoid- NAMUR Direct Mount - Aluminium

NAMUR	Orifice Size mm	Flow Factor Qn 1 /min	Operating Pressure Differential(BAR)			Wattage		Media Temp. °C	Valve Number	Housing	Coil	Reference	
			Min.	AC	DC	AC	DC					Coil	Valve
1/4	4	600	2	10	10	4	5	-25 - + 80	BPKAD6JNC2	-	496593	1	2
1/4	4	600	2	10	10	8	9	-25 - + 80	BPKAD6JNC7	-	481865	2	4

3/2, or 5/2 3-4 Way Pilot Operated - Single Solenoid- NAMUR Direct Mount - Aluminium Body, with Aluminum Hazardous rated ATEX Type EEx d housing

NAMUR	Orifice Size mm	Flow Factor Qn 1 /min	Operating Pressure Differential(BAR)			Wattage		Media Temp. °C	Valve Number	Housing	Coil	Reference	
			Min.	AC	DC	AC	DC					Coil	Valve
1/4	4	600	2	8	8	4	3.5	-20-+60	BNKAD6JNCA	-	XC2-C5	3	5
1/4	4	600	2	8	8	.7	.7	-20-+60	BNKAD6JNCB	-	XC3-C5	3	5

3/2, or 5/2 3-4 Way Pilot Operated - Dual Solenoid- NAMUR Direct Mount - Aluminium Body, with Aluminum Hazardous rated ATEX Type EEx d housing

NAMUR	Orifice Size mm	Flow Factor Qn 1 /min	Operating Pressure Differential(BAR)			Wattage		Media Temp. °C	Valve Number	Housing	Coil	Reference	
			Min.	AC	DC	AC	DC					Coil	Valve
1/4	4	600	2	8	8	4	3.5	-20-+60	BPKAD6JNCA	-	XC2-C5	3	6
1/4	4	600	2	8	8	.7	.7	-20-+60	BPKAD6JNCB	-	XC3-C5	3	6

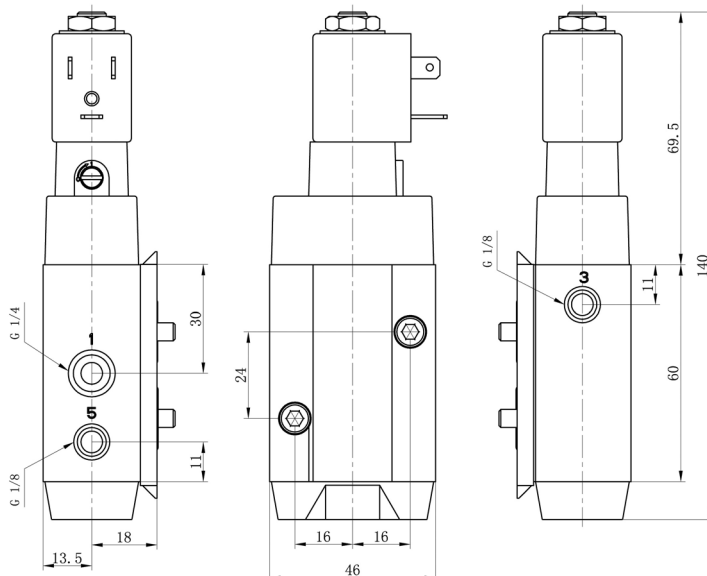
3/2, or 5/2 3-4 Way Pilot Operated - Single Solenoid- NAMUR Direct Mount - 316 SS Body, with 316 SS Hazardous rated ATEX Type EEx d housing

NAMUR	Orifice Size mm	Flow Factor Qn 1 /min	Operating Pressure Differential(BAR)			Wattage		Media Temp. °C	Valve Number	Housing	Coil	Reference	
			Min.	AC	DC	AC	DC					Coil	Valve
1/4	4	600	2	8	8	4	3.5	-20-+60	BNKAD6JNCS	-	XC2-C4	3	5
1/4	4	600	2	8	8	.7	.7	-20-+60	BNKAD6JNCT	-	XC3-C4	3	5

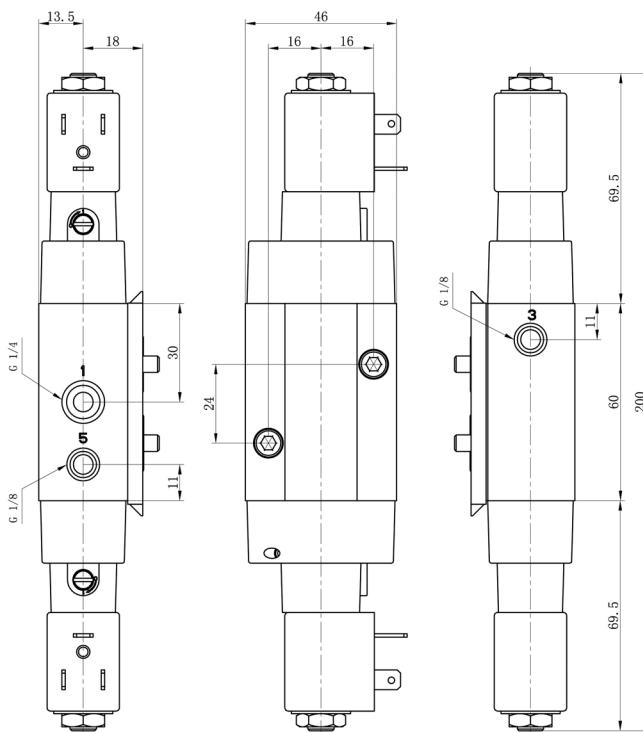
3/2, or 5/2 3-4 Way Pilot Operated - Dual Solenoid- NAMUR Direct Mount - 316 SS Body, with 316 SS Hazardous rated ATEX Type EEx d housing

NAMUR	Orifice Size mm	Flow Factor Qn 1 /min	Operating Pressure Differential(BAR)			Wattage		Media Temp. °C	Valve Number	Housing	Coil	Reference	
			Min.	AC	DC	AC	DC					Coil	Valve
1/4	4	600	2	8	8	4	3.5	-20-+60	BPKAD6JNCS	-	XC2-C4	3	6
1/4	4	600	2	8	8	.7	.7	-20-+60	BPKAD6JNCT	-	XC3-C4	3	6

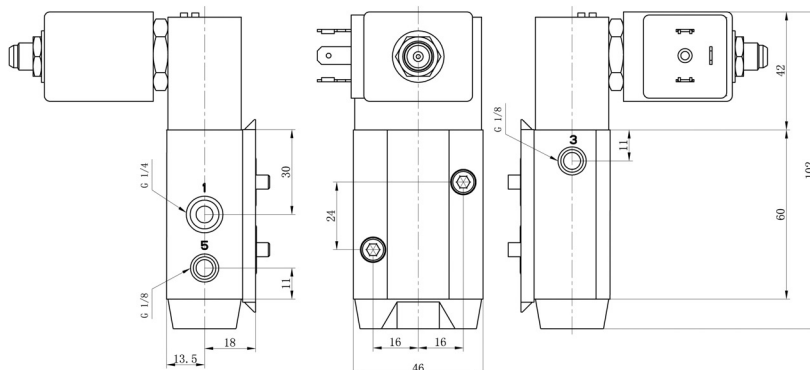
BNKAD6JNC2



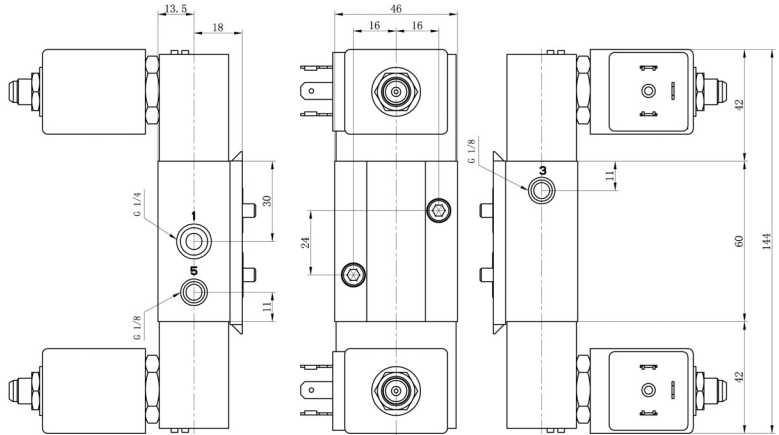
BPKAD6JNC2



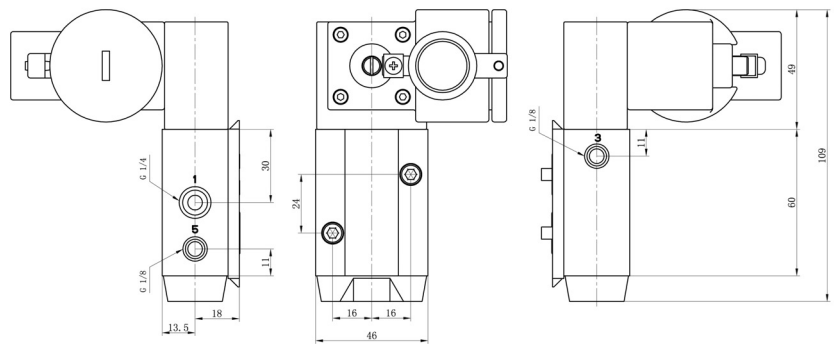
BNKAD6JNC7



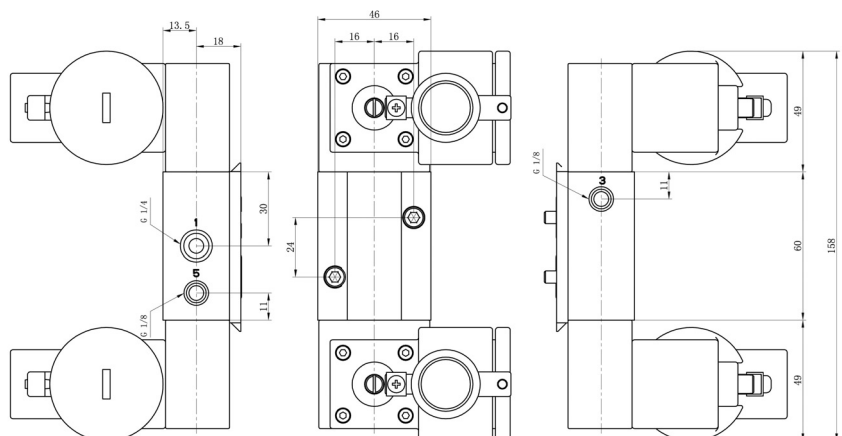
BPKAD6JNC7



BNKAD6JNCA, B, S, T



BPKAD6JNCA, B, S, T



3/2, or 5/2 3-4 Way Pilot Operated - Solenoid - NAMURE Direct Mount - Aluminium

Coil Part Number	Description	Voltage	Class
496593A2	22mm Din coil, 4W	24V /50Hz	F
4965930A	22mm Din coil, 4W	110 - 115 V/50Hz	F
4965933D	22mm Din coil, 4W	220 - 230 V/50Hz	F
496593C1	22mm Din coil, 5W	12 VDC	F
496593C2	22mm Din coil, 5W	24 VDC	F
496593C3	22mm Din coil, 3.6W	36 VDC	F



3/2, or 5/2 3-4 Way Pilot Operated - Solenoid - NAMURE Direct Mount -Aluminium

Coil Part Number	Description	Voltage	Class
481865A2	32mm Din coil, 8W	24V /50Hz	F
481865A5	32mm Din coil, 8W	110V /50Hz	F
4818653D	32mm Din coil, 8W	220 - 230 V/50Hz	F
481865K8	32mm Din coil, 8W	115V /60Hz	F
481865C1	32mm Din coil, 9W	12 VDC	F
481865C2	32mm Din coil, 9W	24 VDC	F



3/2, or 5/2 3-4 Way Pilot Operated - Solenoid - NAMURE Direct Mount -Aluminium

Coil Part Number	Description	Voltage	Class
XC2-C4C2	St. St. housing, DNV 12 ATEX 14872X , 3.5W	24VDC	H
XC2-C4P2	St. St. housing, DNV 12 ATEX 14872X , 3.5W	110V/50-60Hz	H
XC2-C4P4	St. St. housing, DNV 12 ATEX 14872X , 3.5W	120V/50-60Hz	H
XC2-C43P	St. St. housing, DNV 12 ATEX 14872X , 3.5W	220V/50-60Hz	H
XC2-C4S6	St. St. housing, DNV 12 ATEX 14872X , 3.5W	240V/50-60Hz	H
XC2-C5C2	Aluminum housing, DNV 12 ATEX 14872X, 3.5W	24VDC	H
XC3-C4P2	Aluminum housing, DNV 12 ATEX 14872X, 3.5W	110V/50-60Hz	H
XC3-C4P4	Aluminum housing, DNV 12 ATEX 14872X, 3.5W	120V/50-60Hz	H
XC3-C43P	Aluminum housing, DNV 12 ATEX 14872X, 3.5W	220V/50-60Hz	H
XC3-C4S6	Aluminum housing, DNV 12 ATEX 14872X, 3.5W	240V/50-60Hz	H
XC3-C4C2	St. St. housing, low power, 0.7W	24VDC	H
XC3-C5C2	Aluminum housing, low power, 0.7W	24VDC	H





ENGINEERING YOUR SUCCESS.