

# Solenoid Valve

3 Way, 4 Way Explosion Proof  
(NAMUR Interface)



# Solenoid Valve

## 3 Way, 4 Way Explosion Proof 341Z322TNML



### Features

- Pilot operated 4 way valve(Convertible to 3 way)
- Direct mounting to pneumatic actuator
- Standard Manual Override
- Long life cycle (1 Million)
- Single solenoid
- Coil availability 495900, 495905 (ExdmdIICT4)
- Aluminum valve body, 1/4" Pipe size (PT connection)

### Mechanical characteristics

#### Standard material of construction

- Body: Aluminum (Diecasting)
- Spool: Aluminum (Diecasting)
- Seals: NBR
- Springs: Stainless Steel
- Sleeve tube: Stainless Steel

#### Compatible Fluid

- Lubricated Air, Non-Lubricated Air, Inert Gases and other gases compatible with materials of construction

### Electrical characteristics

#### Voltages

- DC: 24, 48, 110
- AC: 110/50-120/60, 220/50-240/60

#### Voltage Tolerance

- Plus & Minus 10%

#### Coil Insulation Class

- H(180°C)

#### Electrical Connections

- M20x1.5

#### Ambient Temperature

- -10 ~ +50 (°C)

#### Maximum Fluid Temperature

- +50 (°C)

### Electronic Part

Article	Tension V / Hz	Code
495905A2	24 / 50	A2
495905A4	48 / 50	A4
495905E5	115 / 50	E5
495905F4	230 / 50	F4
495905K8	115 / 60	K8
495905B8	240 / 60	B8

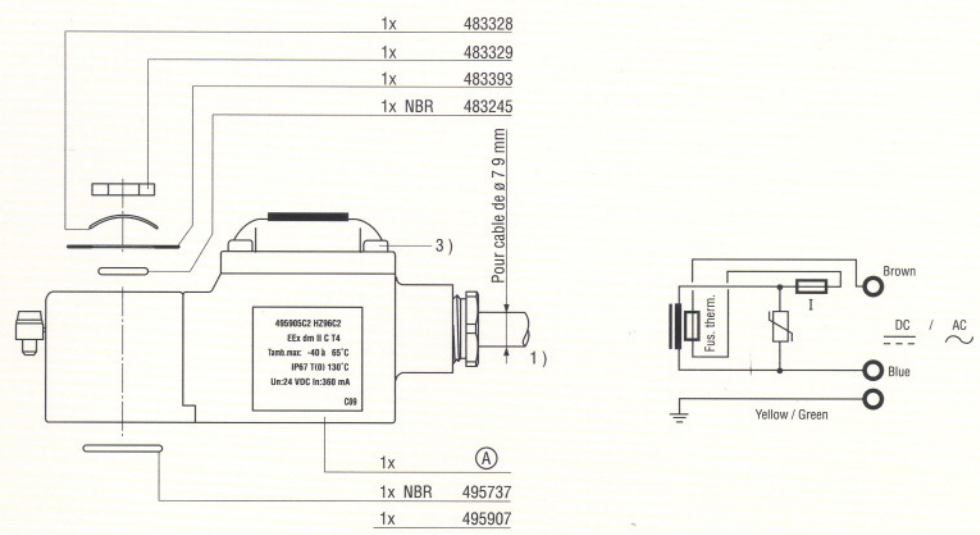
Article	Tension V / Hz	Code
495905C2	24 / DC	C2
495905C4	48 / DC	C4
495905C5	110 / DC	C5

### 4 Way Solenoid Valve (NAMUR Type)

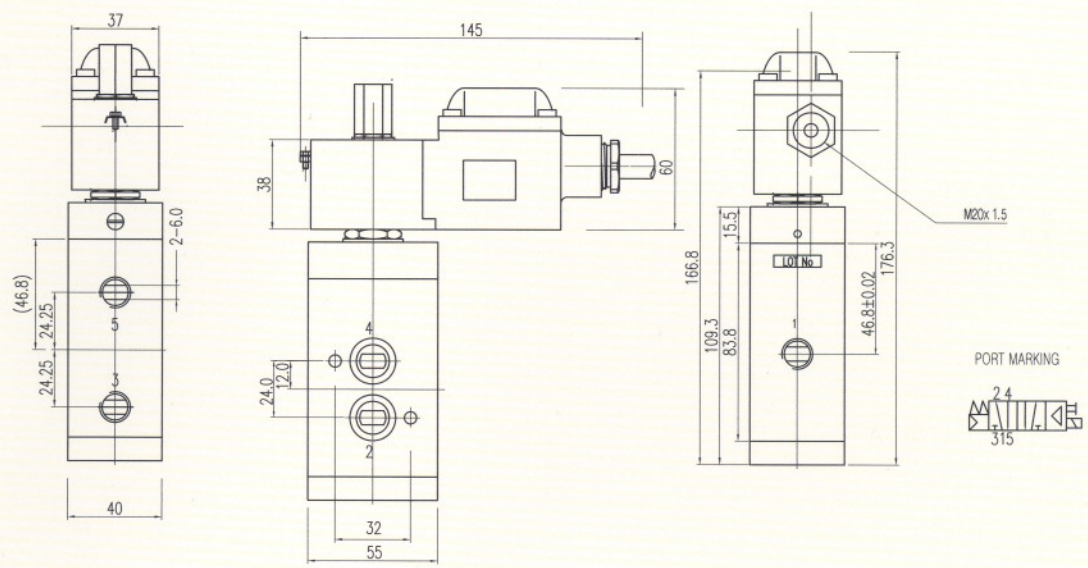
Model	341Z322TNML-495905
Port Size	1/4" PT
Cv	1.4
MAT'L	Aluminum
Enclosure	EExdmlICT4
Coil Class	"H" Class
Function	Manual Override

# Drawing

## Electronic Part



## 3 Way, 4 Way Solenoid Valve (NAMUR Type)



## Mechanical Part

